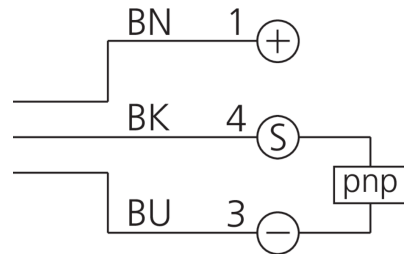
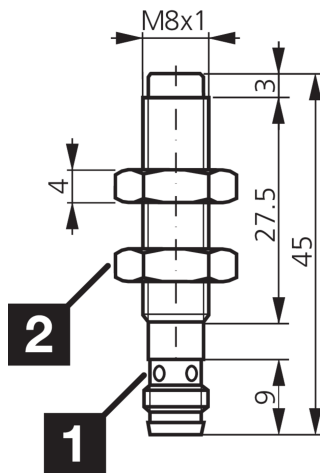




206617
DCC 08 M 2.5 POK-TSL
Inductive proximity sensor

- Metal connector
- Integrated amplifier
- Short-circuit protection
- Starting pulse suppression
- LED



1) LED 4 x 90° (yellow)

2) Width over flats 13 mm

BK: black

BN: brown

BU: blue

Function

--	--	--	--	--	--	--	--	--	--	--	--

Technical data (typ.)	+20°C, 24 V DC
Service voltage	10 ... 30 V DC
Internal power consumption	< 10 mA
Insulation voltage endurance	500 V
Installation type	non-flush
Thread	M8 x 1
Housing length	45 mm
Housing material	Stainless steel
Protection class	III, operation on protective low voltage
Operating principle	inductive
Evaluation	digital
Design	Thread
Characteristics	increased operating distance
Product series	INS-100 Standard
Switching output	pnp, 200 mA, NC
Voltage drop (max.)	2.4 V
Switching distance (SN)	2.5 mm
Standardized measuring plate	8 x 8 x 1 mm
Switching hysteresis (max.)	< 15 %
Switching frequency	2000 Hz
Ambient temperature during operation	-25 ... +70 °C

**206617****DCC 08 M 2.5 POK-TSL****Inductive proximity sensor****Technical data (typ.)****+20°C, 24 V DC**

Protection type

IP 67

Connection

Connector, M8, 3-pin

Connection cable

TK ...

More information / accessories<https://www.di-soric.com/206617>