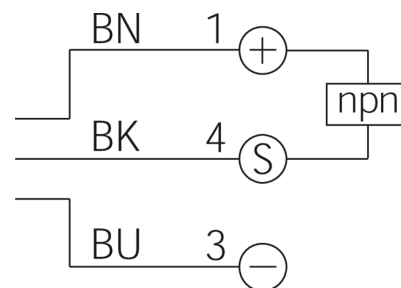
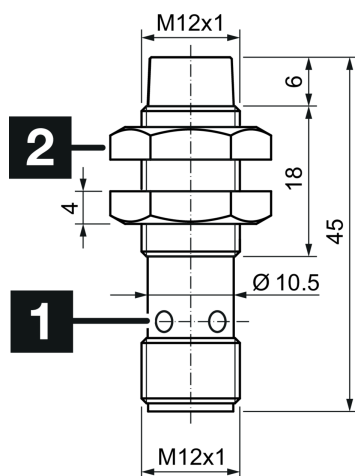




206646
DCCK 12 M 04 NSK-IBSL
Inductive proximity sensor

- Metal connector
- Integrated amplifier
- Short-circuit protection
- Starting pulse suppression
- LED



1) LED (4x) 2) Width over flats 17 mm BK: black BN: brown BU: blue

Function



Technical data (typ.)

+20°C, 24 V DC

Service voltage	10 ... 30 V DC
Internal power consumption	< 10 mA
Insulation voltage endurance	500 V
Installation type	non-flush
Thread	M12 x 1
Housing length	45 mm
Housing material	Brass (nickel-plated)
Protection class	III, operation on protective low voltage
Operating principle	inductive
Evaluation	digital
Design	Thread
Product series	INS-100 Standard
Switching output	npn, 200 mA, NO
Voltage drop (max.)	2.4 V
Switching distance (SN)	4 mm
Standardized measuring plate	12 x 12 x 1 mm
Switching hysteresis (max.)	< 15 %
Switching frequency	800 Hz
Ambient temperature during operation	-25 ... +70 °C
Protection type	IP 67

**206646****DCCK 12 M 04 NSK-IBSL****Inductive proximity sensor****Technical data (typ.)****+20°C, 24 V DC**

Connection

Connector, M12, 4-pin

Connection cable

VK ...

More information / accessories<https://www.di-soric.com/206646>